

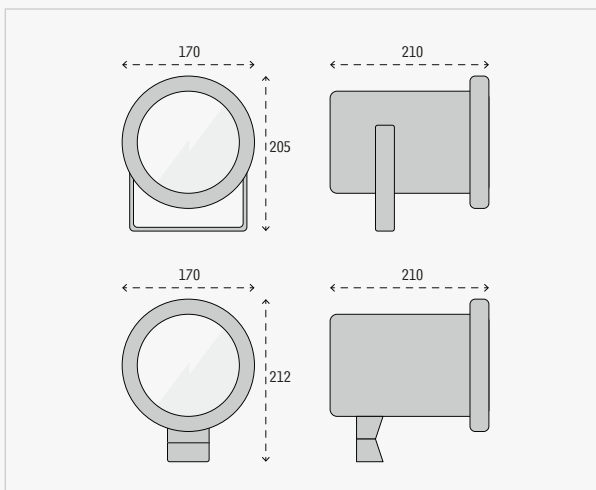
Surface-mounted Spotlight

4.0195

- Protection class IP68 – for a water depth of up to 3 m
- Protection class IP69 - protection against high pressure and high jet water temperatures
- Entirely made of stainless steel 316Ti
- Mounting foot adjustable through 180° or 90°
- ...
- POW-LED cold white, warm white, neutral white, 230 V
- ...
- Cable gland PG13,5, marine grade 316Ti stainless steel
- Temperature-resistant silicon seal
- Toughened safety glass
- Supplied with light source and 3 m of underwater cable



IP68 IP69	IK11	STAINLESS STEEL V4A 1.4571 316Ti	3.000 K 4.500 K 6.000 K	230 V	CABLE INCL.		
		CE					



Additional parts

anti-glare louvre black, for POW-LED 4.0003.02.01	glass disc, frosted for softer light distribution (light loss approx. -15%) 4.0066.01.00	spike Stainless steel, 395 mm, for mounting foot 90° 4.0305.50.00	Anti-glare ring Stainless steel 316Ti, ø 178 mm, length 203 mm 9.0192.00.70
--	---	--	--

Monochrome illumination

Under- and overwater operations

Cover	#	Color	Lumen	LED	Watt	Power	Beam	Cable
Standard 180° adjustable	4.0195.18.01	6000K cold white	1980 lm	12 POW-LED	total 15 W	230V	30° medium	UW, 3x1,5 qmm
	4.0195.18.02	3000K warm white	1620 lm					
	4.0195.18.03	4500K neutral white	1860 lm					
Standard 90° adjustable	4.0195.90.01	6000K cold white	1980 lm					
	4.0195.90.02	3000K warm white	1620 lm					
	4.0195.90.03	4500K neutral white	1860 lm					

Notes

- Beam Angle: POW-LED: 10°, 30°, 45°
- Not to be used at accessible areas. (mains voltage 230V)
- SALINE version possible - Article number with an additional „S“ at the end
- Versions with HIT-TC-CE lamp available